

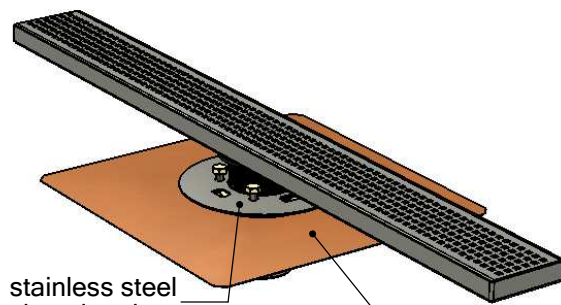
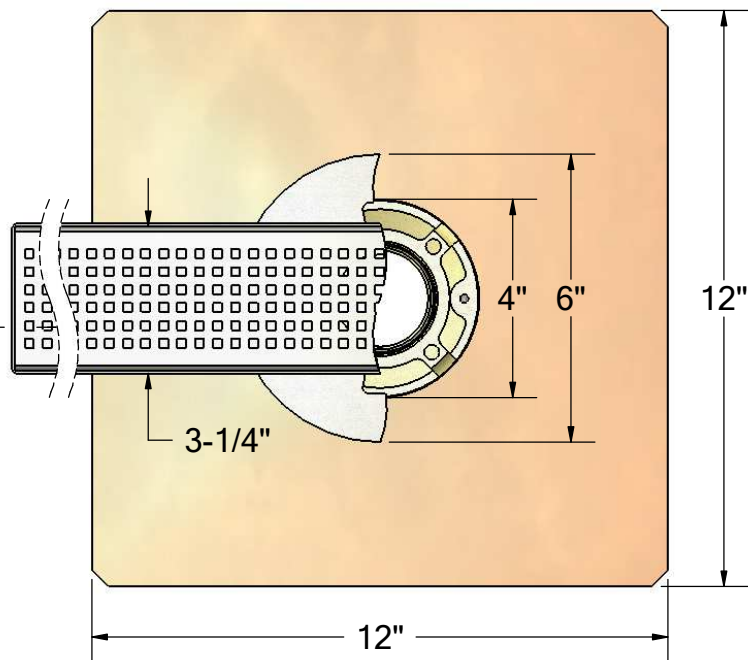


1148 N Marshall Ave, El Cajon, CA 92020
 tel: (619) 448-3567
 fax: (619) 448-9072 tbirdusa.com

LINEAR SHOWER DRAIN

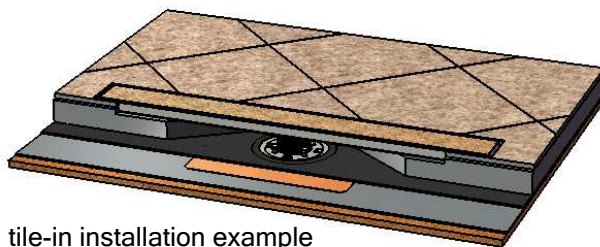


16 oz copper or 316 grade stainless steel flange. Stainless clamp ring. Stainless grate available in 30", 36", 48", and 60" lengths. Standard perforated grate or tile-in grate.

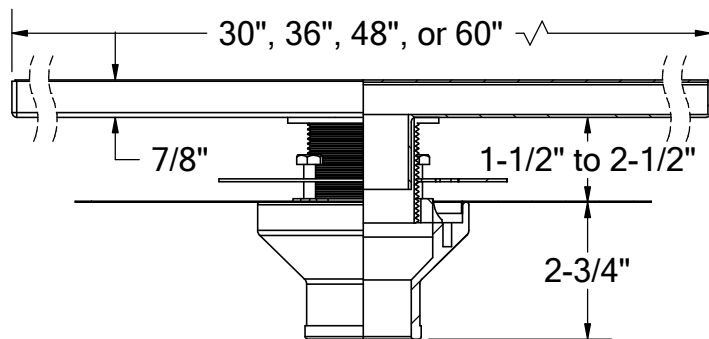


stainless steel clamping ring

flashing attached to 4" bowl, reduced to 2" or 3" no-hub fitting



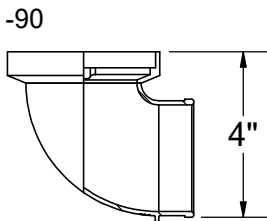
tile-in installation example



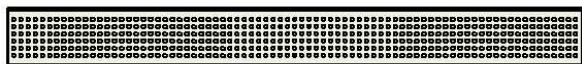
Installation:

1. Apply base sheet to substrate.
2. Nail drain basin to substrate.
3. Apply waterproofing to drain basin.
4. Mechanically attach clamping ring with supplied hardware.
5. Set adjuster to desired height.
6. Place linear grate body into adjuster.
7. Apply mortar to desired height. Use caution to avoid mortar entering weep holes.
8. Install tile to finish height.

optional:



-SG



-TG



(shown with tile insert)

PART #	
SDLN30	2" no-hub, 30" grate
SDLN36	2" no-hub, 36" grate
SDLN48	2" no-hub, 48" grate
SDLN60	2" no-hub, 60" grate
OPTIONS	
	16 oz copper flange
S-	316 stainless steel flange
-90	90° outlet connection
-SG	perforated grate, stainless
-TG	tile-in grate, stainless (tile insert is not included)

Data is subject to manufacturing tolerances.